

Midi free-standing Beacons / LED EVS Beacon 829  
**LED EVS Beacon BM 115-230VAC CL**



Part No.: 829.490.68



**MECHANICAL DATA**

|                              |                             |
|------------------------------|-----------------------------|
| Height                       | 137 mm                      |
| Diameter                     | 98 mm                       |
| Materials                    | PC<br>PC/ABS                |
| Dome colour                  | Clear                       |
| Housing colour               | Black                       |
| Protection category          | IP65                        |
| Connection                   | Screw terminals             |
| cross-sectional area minimum | 0,50mm <sup>2</sup> / 20AWG |
| cross-sectional area maximum | 1,50mm <sup>2</sup> / 16AWG |
| Cable entry                  | Rubber pinch                |
| Cable entry minimum          | d = 5 mm                    |
| Cable entry maximum          | d = 7 mm                    |
| Type of fixing               | Base mounting               |
| Working temperature minimum  | -20°C                       |
| Working temperature maximum  | +50°C                       |
| Weight with packaging        | 273 g                       |
| Product weight               | 218 g                       |

**ELECTRICAL DATA**

|                             |                              |
|-----------------------------|------------------------------|
| Operating voltage           | 115-230V                     |
| Operating voltage type      | AC                           |
| Operating voltage frequency | 50Hz at 230V<br>60Hz at 115V |
| Operating voltage tolerance | +/- 10%                      |
| Rated operational voltage   | 230 VAC                      |
| Rated operational current   | 150 mA                       |
| Rated inrush current        | 500 mA                       |
| Protection class            | Protection class 2           |
| Pollution degree            | 3                            |
| Overvoltage category        | II                           |
| Isolation voltage           | Ui = 250V; Uimp = 2.500V     |

**OPTICAL DATA**

|                      |                  |
|----------------------|------------------|
| Light source         | LED              |
| Light colour         | White            |
| Optical signal image | EVS              |
| Service life optical | 50,000 h maximum |

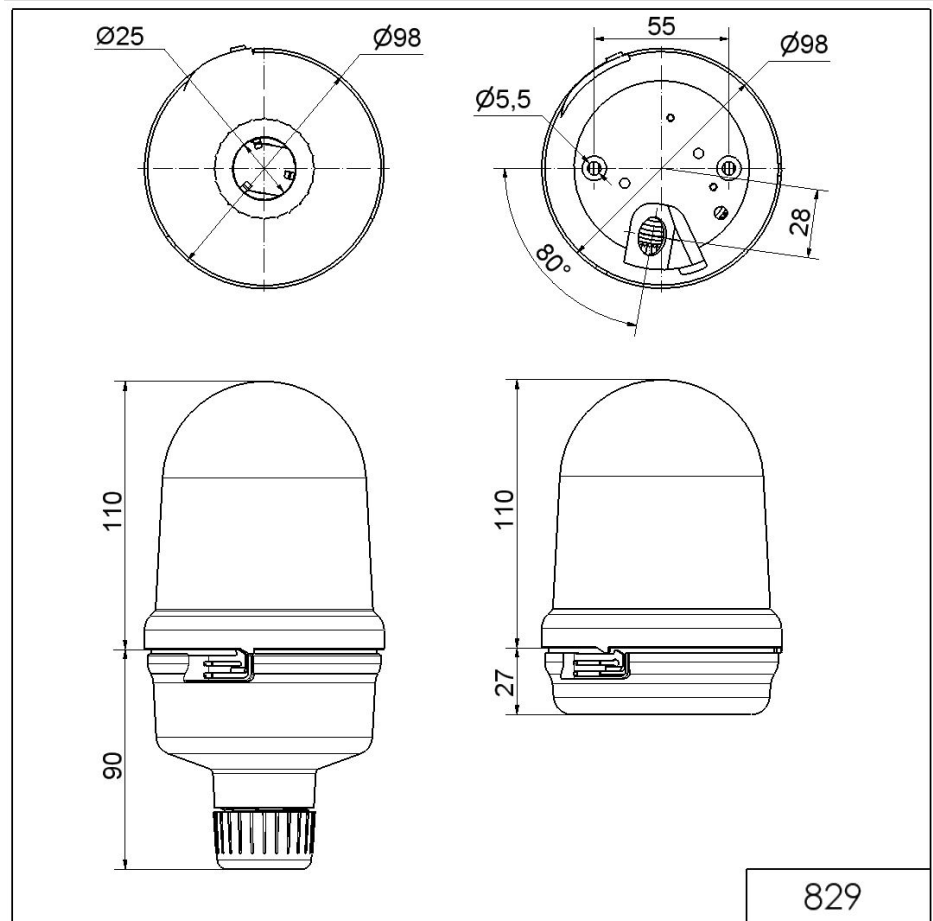
**APPROVAL DATA**

! For additional installation and mounting information, refer to the appropriate user guide at [www.werma.com](http://www.werma.com). This printed copy is for information only and is subject to alteration.

Midi free-standing Beacons / LED EVS Beacon 829  
**LED EVS Beacon BM 115-230VAC CL**

|                              |         |
|------------------------------|---------|
| Conforms with CE             | Yes     |
| WEEE                         | Yes     |
| Conforms with ATEX-directive | No      |
| Conforms with CCC            | Yes     |
| Conforms with UL             | cULus   |
| UL Type Rating               | Type 12 |
| Conforms with FCC            | No      |
| Conforms with IC             | No      |
| EAC certificate available    | Yes     |
| Conforms with AS-I           | No      |
| ICAO Certification           | No      |
| Conforms with DNV            | No      |
| Conforms with RoHS CN        | No      |
| Conforms with VdS            | No      |

**DRAWING**



! For additional installation and mounting information, refer to the appropriate user guide at [www.werma.com](http://www.werma.com). This printed copy is for information only and is subject to alteration.